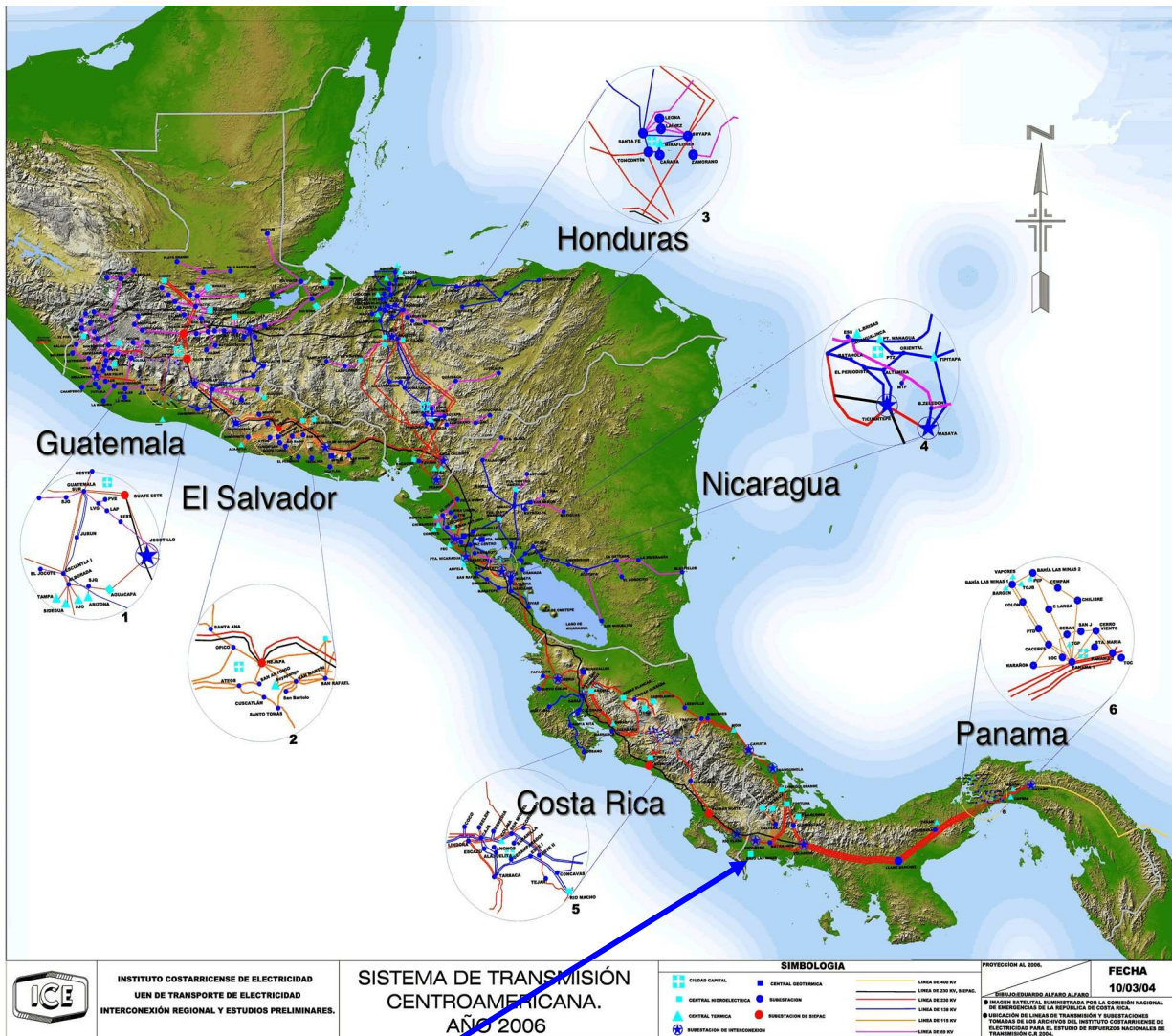




Proposal to use Punta Burica as host for the DuTemp's CTL Projects



"Punta Burica is located here"

SIEPAC is the interconnected Centro-American electrical Grid. The first phase will transport 300 MW and in the second stage an additional 300 MW for a total distribution of 600 MW.

The Panamanian Government has declared through a Presidential Decree the creation of special advantage parcels within Punta Burica for the National development. This designation has mandated a Regional Refinery to be developed in this region. As a limitation of the Decree, there will be no mining or hydraulic concessions awarded except to entities that build a refinery. This area also includes maritime development.

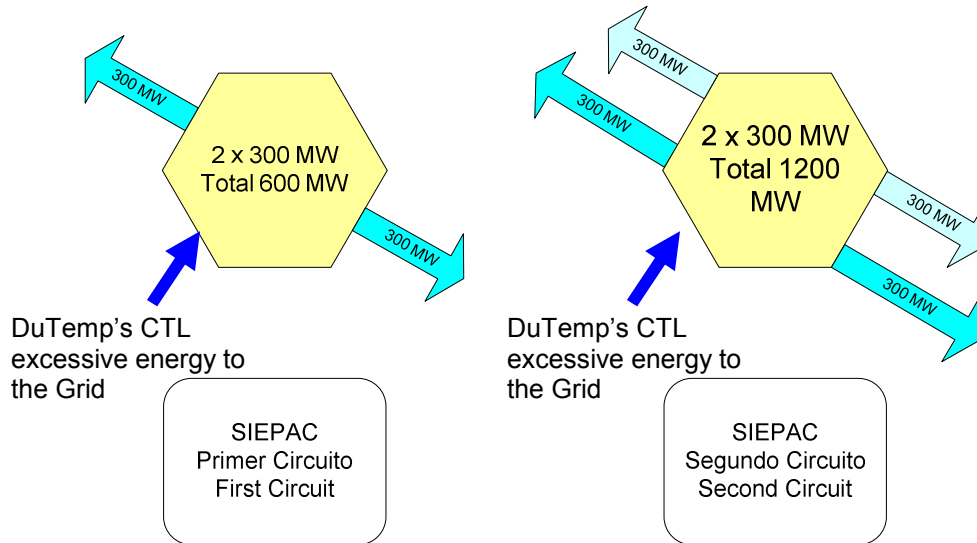


In this sector, the Grid can send 300 MW to the right and to the left (First stage) and after completion of the second phase, the Grid can support 2x300 MWH to the right Grid and 2x300 MWH to the left Grid

The distance between DuTemp's Refinery in the specified special area to the SIEPAC Grid is between 45 to 50 KM with no mountains at route.

President Torrijos promised to develop Armuelles area after Banana Industry left Panama. The expected project for Armuelles area is Oxy Refinery.

The SIEPAC grid makes transmission of 300 MWH in first circuit and eventually 600 MWH possible. Therefore, DuTemp has concluded if its Refinery implementation can take place near Punta Burica, the produced electricity can be delivered to Panama or Costa Rica with a possibility of a final destination to Guatemala.

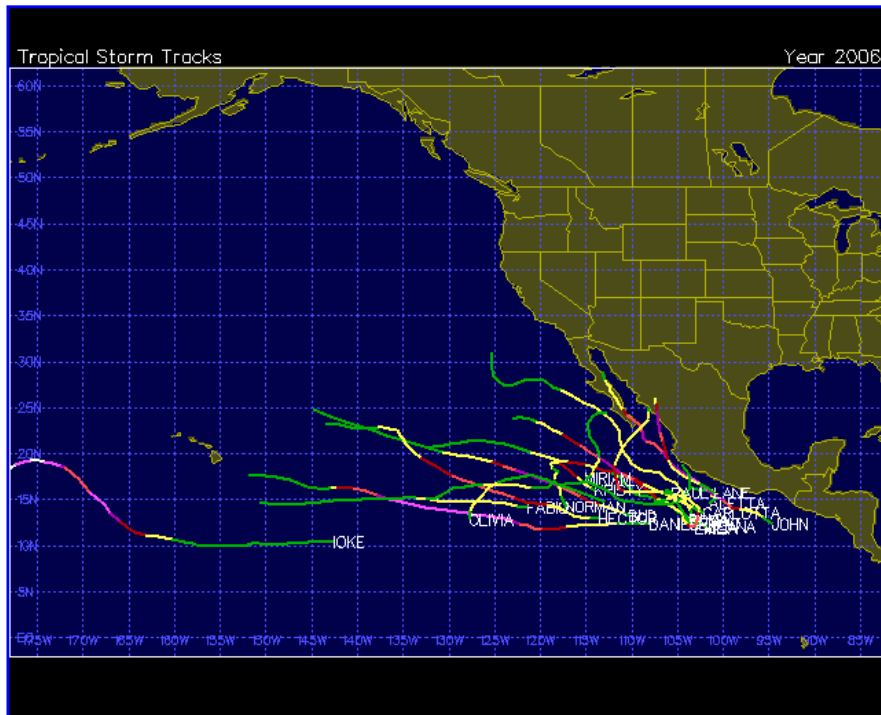
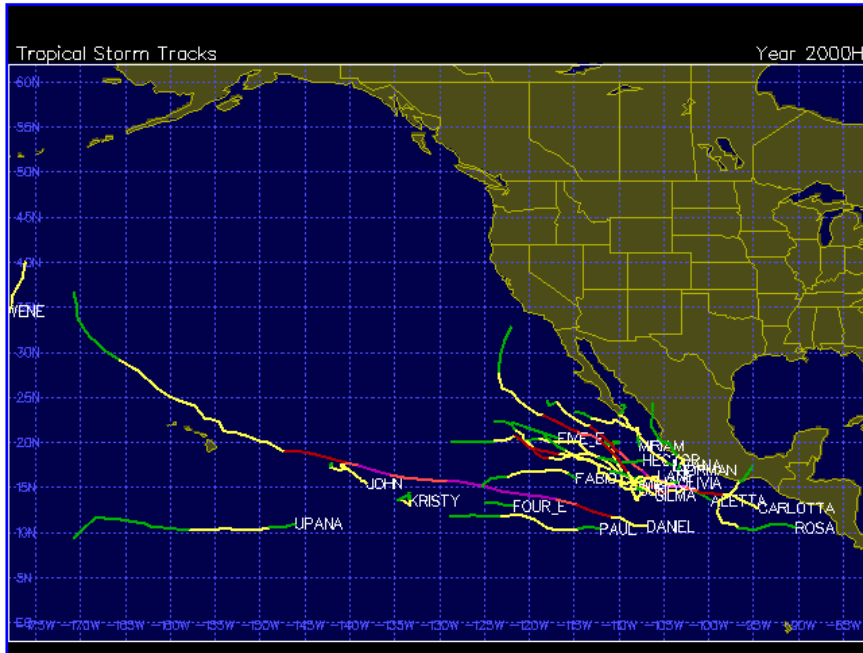


If and when DuTemp is able to install its plants (1, 2, or 3 CTL plants) in Punta Burica, the SIEPAC Grid will become viable for efficiently exporting the plant's produced electricity.

	2006	2007	2008	2009
Servidumbres	[Bar chart showing activity from early 2006 to mid-2007]			
Imposición Forzosa		[Bar chart showing activity from mid-2007 to early 2008]		
Construcción Línea Lote I		[Bar chart showing activity from early 2007 to late 2008]		
Construcción Línea Lote II		[Bar chart showing activity from early 2007 to late 2008]		
Ampliación Subestaciones		[Bar chart showing activity from mid-2007 to early 2008]		
Compensación Reactiva			[Bar chart showing activity from early 2008 to late 2008]	
Pruebas				[Small bar chart showing activity in early 2009]
Finalización de la Línea				[Diamond marker in early 2009]

The graph indicates the expected timeline for the development of the SIEPAC Grid. It is believed that this project may be suffering delays in implementation of about ten (10) months. This cannot be verified by DuTemp at this time.

With reference to: <http://weather.unisys.com/hurricane/>, we have concluded/foreseen no predicted hurricane activities at this time.



Why Punta Burica?

- The Governmental Decree has declared this section as a special development area for Regional Refining.
- Therefore, DuTemp is respectfully requesting from President Martin Torrijos permission to allocate a site in this area for the implementation of a Refinery Project.
- The existing restrictions for mining concessions/activities that include limitations with permitting for activities in Hydro energy projects by a third party.
- The proximity to the Central American (Centro-American) electrical grid and to the Panamanian local Grid. We are expecting Grid construction/connection of not more than 50 Kilometers.
- The commitment has been given by President Torrijos to develop the Puerto Armuelles to supplement the economic loss of the banana industry and its designation for the “Oxy Refinery Project” as a remedy. Therefore, this option is no longer available to DuTemp as all its activities has been concentrated in the Pacific area with the importing of coal from Colombia and exporting its finished products to the United States’ West coast.
- The absence of beaches with tourism activities and the presence of city populations in accordance with the requirements and conclusions of the DuTemp Pre-FEED Study.
- The location is far away from other proposed projects by other groups which diminishes or eliminates conflicts of interest between potential investment groups.
- The Project does not require approval from the Canal de Panama Authority since the proposed Refinery is not near any river that feeds water to the Canal de Panama.
- The direct access to Costa Rica and Panama market.
- There exists enough area to develop refineries, power plants, and a petrochemical complex to produce Raw Core Manufacturing components for secondary manufacturing.
- There is the potential to install a ship-breaking yard with access to Plasma Arc Reactors in DuTemp’s Refinery complex for processing produced hazardous waste as mandated by United Nation, EU, and US-EPA laws.
- **No Permit/Approval has been issued by the Panamá Government/Authorities yet.**
- First Funding shall take place by end of May of 2008.
- Engineering phase starts June of 2008.
- Water and Air applications will be filed by August of 2008.
- EDC Corporation shall authorize an independent environmental assessment of the said project to a third party company, potential companies: URS Corporation, Panama Office.
- Site selection is by January of 2009 or before.
- EDC Coal To Liquid (CTL) plant shall break ground not later than March 2009 with 30+ months completion schedule.

Please contact DuTemp Corp. for all other questions.